
The Number Continuity Service: Part II – GSM <-> CDMA Seamless Technology Change

Arnaud Henry-Labordère

HALYS, Paris, France and PRISM-CNRS, Versailles, France; e-mail: ahl@halys.fr

Received 7 May 2013; Accepted 15 May 2013

Abstract

Even with the predominance of the GSM technology, there are instances when the only coverage for a GSM outbound subscriber is from a CDMA (IS-41) network (that includes many fixed networks in the USA and the CDMA based Globalstar satphone services). Symmetrically a CDMA subscriber roaming in a GSM network after changing for a GSM handset, will need the number continuity service to receive his calls and SMS. Roaming Hubs able to convert the two signalling systems are required. We explain the differences into the mobility protocols (MAP GSM and MAP IS-41), the TCAP protocol (ANSI and ITU) and the network layers (14 bits ITU and 24 bits ANSI Point Codes). The eight possible combinations are handled by a multi-standard Roaming Hub architecture. Detailed protocol traces are included.

Keywords: MAP GSM, MAP IS-41, GSM-CDMA converter, ITU, ANSI.

1 History and GSM <-> CDMA Protocols Comparison

In 2004, a CDMA<->GSM number continuity service was provided by Worldcell (USA), mainly for government officials having a CDMA number phone. When they were going abroad, there was no roaming possible,

and they had a GSM phone with many roaming agreements rented for this purpose. The “Number continuity” platform developed by Logica, allowed them to receive calls and SMS on their usual US number, and when they were making calls or SMS and their usual US number was appearing as CLI. Since then the platform was sold, but it is not maintained and is then no longer operational. A number continuity project with Globalstar gave a strong reason to redevelop the technology using a more modern Roaming Hub platform, as Globalstar has two types of core networks and terminals (GSM with an Alcatel HLR in Toulouse, and IS-41 (CDMA) with a DSC HLR in Texas.

It is the same system which would allow for example an ordinary CDMA subscriber (example SPRINT in the US) to visit Russia, rent a GSM phone if his own handset is not bi-standard (such as certain Iphones), and get a local IMSI. If this HPLMN has a CDMA<->GSM roaming hub, he would have the full number continuity service. The CDMA<->GSM Hub is still useful as there are many (> 10% of the world mobile users) CDMA networks, in the US (notably SPRINT, Verizon, Metro PCS, Cricket), Asia and Africa (the reason being that the CDMA operators’ licences and the core networks are much cheaper). The user changes technology either by getting an other handset or with a multi-standard handset (some Iphone versions have the two modes). There exist GSM networks in North America (ANSI) and Europe (ITU), CDMA networks in North America (ANSI) and Europe, Africa or Asia (ITU). Table 1 presents the differences between ANSI and ITU networks whether they are CDMA or GSM.

1.1 TCAP ITU and TCAP ANSI Comparison

However, most GSM networks (T-Mobile USA, AT&T, Canadian GSM) use TCAP ITU even if they are in an ANSI area.

The TCAP ANSI and ITU look similar but are not compatible. It is not just a simple matter of changing the TCAP operation codes, the Component codes and the Transaction Ids also need to be changed. So if interworking needs to be performed between two networks, one with TCAP ANSI, the other TCAP ITU, the Roaming Hub needs two TCAP instances running in parallel.

Table 1 ITU-ANSI differences.

	ITU	ANSI
TCAP layer	TCAP ITU	TCAP ANSI
Transaction codes	Unidirectional = 61 Hex BEGIN code = 62 Hex CONTINUE = 65 Hex END = 64 Hex Abort = 67 Hex Does not exist Does not exist Invoke = A1 Hex Return result = A2 Hex Return error = A3 Hex Reject = A4 Hex	Unidirectional = E1 Hex Query with permission = E2 Hex Continue with permission = E5 Hex Response = E4 Hex Abort 76 Hex Query without permission = E3 Hex Continue without permission = E6 Hex
Component codes		
Origin and Destination		
Transaction IDs		
SCCP layer	SCCP ITU	SCCP ANSI
Network layer: GT formats	Same	Same
Network layer: Point codes	14 bits	24 bits
Network layer	Same (6=HLR, 7=VLR) except	Same (6=HLR, 7=VLR) except
SubSystemNumbers SSN	SMSC GW = 8	SMSC = 11

Table 2 GSM <-> IS-41 differences.

	GSM	IS-41 (used for CDMA)
Name of mobility protocol Authentication (VLR-<->HLR)	MAP GSM (3gpp TS 29.002) SEND AUTHENTICATION INFORMATION req	MAP IS-41 (TIA/EIA IS-41 D) AUTHENTICATION req
Registration Circuit Services (VLR-<->HLR)	UPDATE LOCATION INSERT SUBSCRIBER DATA SEND ROUTING INFO req	REGISTRATION NOTIFICATION req REGISTRATION NOTIFICATION resp LOCATION REQUEST req
Incoming call to subscriber's number (GMSC->HLR then HLR->VMSC)		
Deregistration by user (VLR-<->HLR)	PROVIDE ROAMING NUMBER req	ROUTING REQUEST req
Incoming SMS to subscriber's number (SMSC->HLR then SMSC->VMSC)	PURGE MS req SEND ROUTING INFO FOR SM req MT FORWARD SM req	MS INACTIVE req SMS REQUEST req
Change of Visited MSC (HLR->old VMSC)	CANCEL LOCATION req	SMS POINT TO POINT DELIVERY req CANCELLATION req
USSD services	PROCESS USSD REQUEST req USSD REQUEST req USSD NOTIFY req Circuit mode obsolete, uses ISUP and V110 modems with a IWF GTP protocol (see Section 3)	No USSD services in IS-41!! Circuit mode services only in IS-95. See [10.4] GTP protocol (CDMA packet services in CDMA2000). See [10.4] and [10.5]
Data services (Internet)		

Table 2 (Continued)

	GSM	IS-41 (used for CDMA)
Registration Packet Services (VLR <-> HLR)	UPDATE LOCATION	REGISTRATION
	GPRS	NOTIFICATION req ADD SERVICE [10.4] DROP SERVICE [10.5]
Subscriber public number	MSISDN	MDN for outgoing calls, outgoing and incoming SMS DGTSCAR for incoming call (GMSC->HLR)
		MIN
Mobile Subscriber Identity (in the SIM card (GSM) or in the handset (CDMA))	IMSI	
	SMS 7 bits alphabet (text coded in 7 bits is not compatible at all between GSM and IS-41)	TIA/EAI-637-A, the 7 bits characters are simply packed one after the other in a bit string
	3gpp TS 23.038, the 7 bits characters are inside an 8 bits format, with every 8 character filled in the first bit of the 8 bits format	

1.2 MAP GSM and MAP IS-41 Comparison

Both mobility protocols are called MAP. Table 2 lists the most striking differences. We have given the full list regarding the “number continuity service”, including voice and SMS services.

As a consequence of the SSN (Sub System Number) being the same in GSM and IS-41, and of a common international gateway being used by a service provider of number continuity, a routing of the incoming traffic to the MAP GSM stack or the MAP IS-41 stack, cannot be based on the SSN as in most network equipments software (146 goes to Camel, the others to MAP).

For a general operation there must be two routing levels based on a table of Global Titles (GT) specifying the ANSI networks (GSM or CDMA) (so the incoming traffic is sent to TCAP ANSI or the TCAP ITU), and after the TCAP layer, a table specifying the MAP IS-41 or the MAP GSM. A diagram is given in Figure 3.

Such a mixed GSM<->CDMA roaming platform is then much more complex than the implementations which have appeared in the past years, as they necessitate a non standard SS7 architecture using ITU, ANSI, GSM, IS-41 components with some non standard routing levels between the layers. The details given below are for those who want to develop or just need to understand how it works.

To simplify a little we have assumed that the GSM<->CDMA Hub is connected to an ITU SS7 provider which is offering the ANSI<-> ITU Point Code conversion with a partner in the path to the ANSI networks. This is why we see a single MTP3 and M3UA layer as well as a single SCCP ITU layer. If there is no ANSI<->ITU Point Code conversion, it is possible to run with two instances of SCCP and two instances of MTP3 or M3UA.

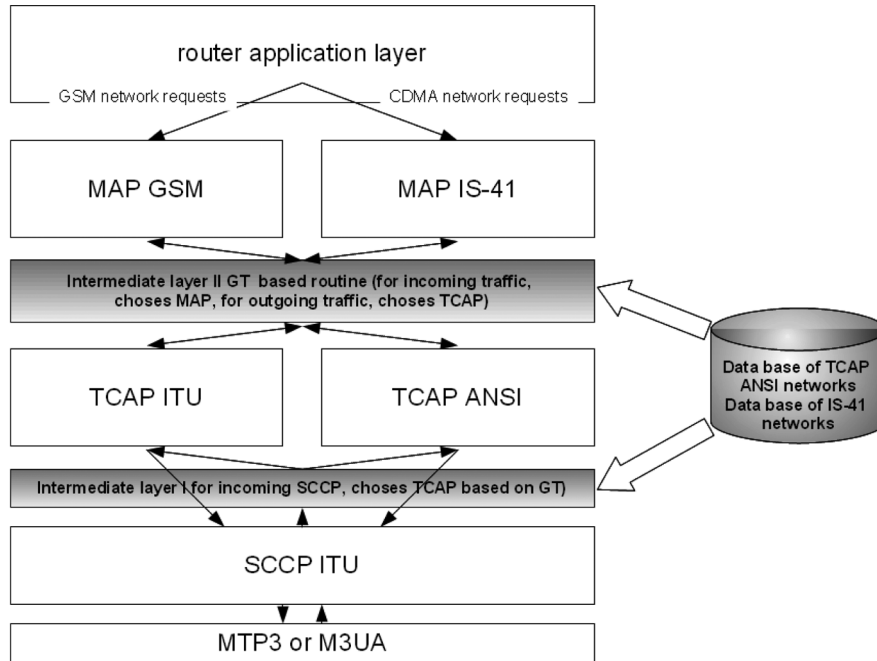
2 Rerouting of Registration to the GSM<->CDMA Converting Roaming Hub

Figures 5 and 6 of Part I of this article [6] show how the registration messages reach the Roaming Hub that is, SEND AUTHENTICATION INFO and UPDATE LOCATION (GSM HLR handsets), AUTHENTICATION REQUEST and REGISTER NOTIFICATION (CDMA HLR handsets).

As an example, the E164 numbering plan for Globalstar GSM Europe is:

33640044200-44999 for CDMA handsets

33640000000-19999 for GSM handsets



SS7 network with ANSI<->GSM Point Code conversion

Figure 1 Architecture of a GSM<->CDMA protocol converter.

There are also some ranges for the IMSI (GSM) or MIN (CDMA) assigned to Globalstar Europe.

A sub range of IMSI and MIN is assigned by Globalstar to some planned handsets for the number continuity service. For example:

+208059990040000-49999 for the GSM handsets

+40379810000-40379819999 for the CDMA handsets

and as the subscribers subscribe to the service, their IMSI GSM is entered into the Roaming Hub (IMSI-MIN or IMSI-IMSI mapping) depending on whether they have a CDMA handset or a GSM handset.

In the Gateways GMSCs of Globalstar Europe, a new “proxy” HLR for these ranges of numbers is created, that is an E124 routing table which declares the Roaming Hub as their HLR.

GMSC France +208059990040000-49999 → 33XXXXXXXXX (GT of the single roaming Hub)

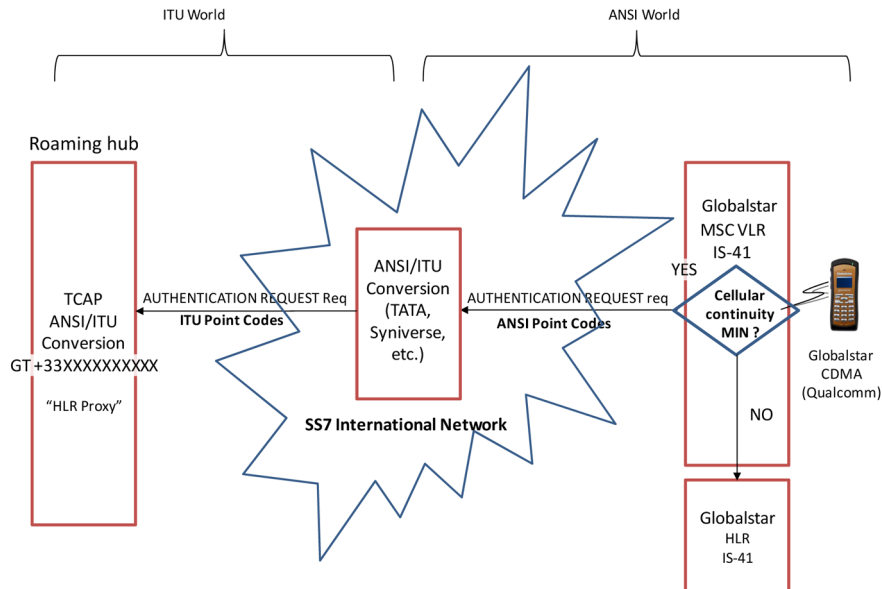


Figure 2 Rerouting to the “HLR proxy”.

GMSC USA +40379810000-19999 → 33XXXXXXXXXX (GT of the single roaming Hub)

This way all the registration messages are forwarded to the Roaming Hub. This is shown in Figure 2 for the rerouting of number continued CDMA Handsets

3 Details of the GSM<->CDMA Number Continuity Implementation

As we assume that most readers are quite familiar with MAP GSM, the protocol analyzer used for the traces displays the equivalence GSM when possible in the IS-41 traces below.

3.1 Authentication VLR<->HLR

The CDMA handset is powered on.

IS-41 Message Decoding © HALYS 2011, 2012

(28): AUTHENTICATION REQUEST (VLR<->HLR Send Authentication Info

in GSM)

Length = 59

(136): Mobile Identification Number MIN (as IMSI in GSM)

MIN = +4037990012

(137): Electronic Serial Number ESN (as IMEI in GSM)

Manufacturer code = B3

ESN = B309AFAF

(149): MSC ID

7809-10

(34): System Access Type (SAT)

(3): Autonomous Registration

(49): System Capabilities (SYSCAP)

(0B)

Authentication parameters were requested on the system access

Signalling message encryption is supported by the system

Voice privacy is not supported by the system

System can execute the CAVE algorithm and share SSD for the indicated MS

SSD is not shared with the system for the indicated MS

(35): Authentication Response (AUTHR)

01387C

(10): Count Update Record (COUNT)

(00)

(32): PC_SSN

PC (24 bits) = 2247429 SSN = 7

(40): Random Variable (RAND)

08016558

(47): Terminal Type (TERMTYPE)

(32): IS-95

3.2 Registration

After a successful answer from the HLR, the subscriber registers and the profile send by the HLR is loaded in the VLR.

3.2.1 VLR->HLR Request

IS-41 Message Decoding © HALYS 2011, 2012

(13): REGISTRATION NOTIFICATION (VLR->HLR Update Location or HLR->VLR Insert Subscriber Data in GSM)

Length = 59

4097 (136): Mobile Identification Number MIN (as IMSI in GSM)
MIN = +4037990012
(137): Electronic Serial Number ESN (as IMEI in GSM)
Manufacturer code = B3
ESN = B309AF AF
(145): Qualification Information code (QUALCODE)
(3): Validation and profile
(150): System My Type Code (MYTYPE)
(16): QUALCOMM
(149): MSC ID
7809-10
(32): PC_SSN
PC (24 bits) = 2247429 SSN = 7
(104): SMS Address (as Visited MSC GT in GSM)
Type of digit 00
Nature of number 01
International
Presentation allowed
Number is not available
(2): Telephony Numbering E164
(1): BCD
Number of digits 11
+16139889998
(53): Extended MSC Identification Number (EXTMSCID)
7809-200
(49): System Capabilities (SYSCAP)
(0B)

Authentication parameters were requested on the system access
Signalling message encryption is supported by the system
Voice privacy is not supported by the system
System can execute the CAVE algorithm and share SSD for the indicated MS
SSD is not shared with the system for the indicated MS

3.2.2 HLR->VLR Response with the Subscriber's Profile

IS-41 Message Decoding © HALYS 2011, 2012

(13): REGISTRATION NOTIFICATION (VLR->HLR Update Location or
HLR->VLR Insert Subscriber Data in GSM)

Length = 65

(150): System My Type Code (MYTYPE)
(63): Globalstar
(142): Authorization Period (AUTHPER)

- (6): Indefinite,value = 0
- (149): MSC ID
7808-222
- (78): Authentication Capabilities
 - (1): No authentication required
- (153): Calling Features Indicator (as Call Forwarding Conditions in GSM) (CFI)
CFNA CFB CFU CD CNIR CNIP1
- (93): Mobile Directory Number MDN (as MSISDN for the SRI_FOR_SM or in the INSERT SUBSCRIBER DATA GSM)
 - Type of digit 05
 - Nature of number 31
 - International
 - Presentation allowed
 - Number is not available
 - (2): Telephony Numbering E164
 - (1): BCD
 - Number of digits 10
 - MDN = +4037990012
- (151): Origination Indication (ORIGIND)
 - (7): International
- (152): Termination Restriction Code (TERMRES)
 - (2): Unrestricted
- (48): CDMA Service Option List (IS-737) (CDMALIST)
9F812F0200029F812F0202019F812F020101

The MDN (the subscriber's number which shows in the calls or SMS is then set by the HLR (exactly as in GSM). The test which was done with Globalstar has a small particularity: the MDN Mobile Directory Number (MSISDN in GSM) is the same as the MIN Mobile Identity Number (IMSI in GSM). In general it is not the case with other CDMA networks. Also the CDMA MDN does not include the country code (+1).

In [6, figure 6] (i.e. Part I of this article) showing the number continuity GSM->Globalstar CDMA, the system will set the MDN sent to the Globalstar VLR = the GSM MSISDN. So when a call or SMS is made with the Globalstar, the GSM number will show.

3.3 Incoming Call to CDMA Subscriber

A call is made to the MSISDN of the GSM. The GSM HLR will send a PROVIDE ROAMING NUMBER (which includes the GSM IMSI) to the

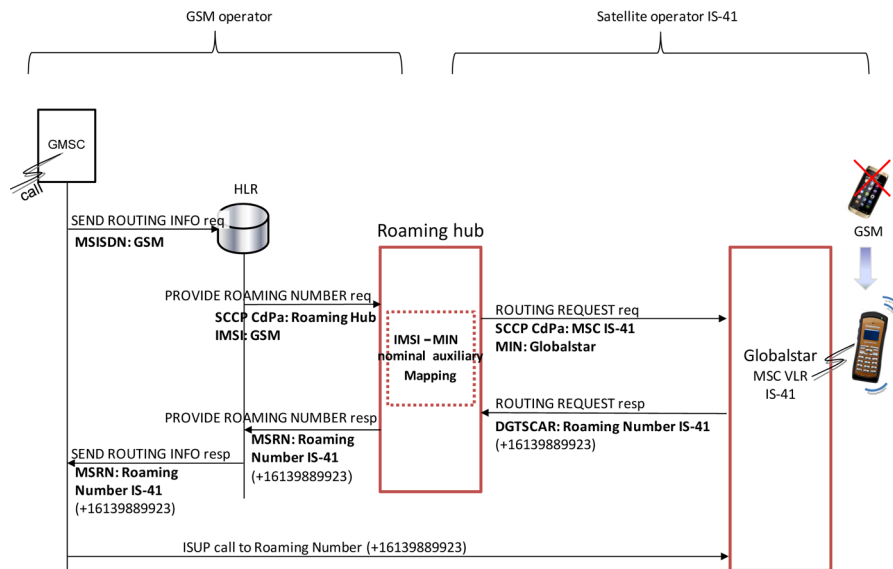


Figure 3 Incoming call to CDMA subscriber.

visited VLR which is the Roaming Hub. The Roaming Hub will map the IMSI to the MIN and will send a ROUTING REQUEST including the MIN (same as the IMSI in GSM). This ROUTING REQUEST also has the GT of the GMSC (which is the GT of the Roaming Hub).

3.3.1 ROUTING REQUEST Request (Roaming Hub->VLR)

IS-41 Message Decoding © HALYS 2011, 2012

(16): ROUTING REQUEST (HLR->VLR Provide Roaming Number GSM)

Length = 52

- (129): Billing ID (BID)
1E81C918587200
- (136): Mobile Identification Number MIN (as IMSI in GSM)
MIN = +4037990012
- (137): Electronic Serial Number ESN (as IMEI in GSM)
Manufacturer code = B3
ESN = B309AF AF
- (149): MSC ID
7809-201
- (150): System My Type Code (MYTYPE)
(16): QUALCOMM

- (47): CDMA Service Options (IS-737) (CDMASO)
0002
- (94): MSC Identification Number (as GT of GMSC in GSM) (MSCIN)
Type of digit 00
Nature of number 31
International
Presentation allowed
Number is not available
- (2): Telephony Numbering E164
 - (1): BCD
Number of digits 11
+33XXXXXXXXXX /* GT of Roaming Hub */

3.3.2 ROUTING REQUEST Response (VLR-> Roaming Hub)

IS-41 Message Decoding © HALYS 2011, 2012

- (16): ROUTING REQUEST (HLR-*i* VLR Provide Roaming Number GSM)
Length = 37
 - (149): MSC ID
7809-10
 - (129): Billing ID (BID)
1E810A65CF3C00
 - (132): Digits (called MSISDN from GMSC or MSRN returned by VLR in GSM) (DGTSCAR)
Type of digit 06
Nature of number 01
International
Presentation allowed
Number is not available
 - (2): Telephony Numbering E164
 - (1): BCD
Number of digits 11
+16139889923 /* Roaming Number allocated by the VLR IS-41 and returned to the Roaming Hub */
 - (32): PC_SSN
PC (24 bits) = 2247429 SSN = 7

The Roaming Hub will give +16139889923 in the GSM PROVIDE ROAMING NUMBER Confirmation. As a result the GSM GMSC will call +16139889923 directly and the IS-41 network will receive the same Mobile Terminated Calls charges.

3.3.3 Call Forwarding IS-41 for Unsuccessful Mobile Terminated Calls

This does not work like GSM. In GSM the VLR profile contains “conditional call forwarding” informations for call busy, no response, not reachable. There is no such thing in IS-41, the profile returned by the HLR in the REGISTER NOTIFICATION result returned does not have it. When the incoming call of Figure 3 fails, the VLR IS-41 sends to the HLR a TRANSFER TO NUMBER REQUEST with the “Redirection Reason”, asking for instructions.

IS-41 Message Decoding © HALYS 2011, 2012

(23): TRANSFER TO NUMBER REQUEST (VLR->HLR->VLR) (the VLR tells the result of a MT call and receives a redirection number)

Length = 22

(136): Mobile Identification Number MIN (as IMSI in GSM)

MIN = +4037990012

(137): Electronic Serial Number ESN (as IMEI in GSM)

Manufacturer code = B3

ESN = B309AF AF

(150): System My Type Code (MYTYPE)

(16): QUALCOMM

(147): Redirection Reason

(4): No Page Response

The HLR responds by sending a “Redirecting Number” which could be the GSM VMS number, which is then called by the VLR. For the number continuity service, the Roaming Hub has extracted the GSM conditional call forwarding numbers from the INSERT SIBSCRIBER DATA and uses them to create the TRANSFER TO NUMBER Response sent to the VLR.

IS-41 Message Decoding © HALYS 2011, 2012

(23): TRANSFER TO NUMBER REQUEST (VLR->HLR->VLR) (the VLR tells the result of a MT call and receives a redirection number)

Length = 36

(132): Digits (called MSISDN from GMSC or MSRN returned by VLR in GSM) (DGTSCAR)

Type of digit 01

Nature of number 00

National

Presentation allowed

Number is not available

(2): Telephony Numbering E164

(1): BCD

Number of digits 10

+4037990012
(96): No Answer Time
0 seconds
(100): Redirecting Number Digits (number where call is forwarded, e.g. VMS)
Type of digit 01
Nature of number 01
International
Presentation allowed
Number is not available
(2): Telephony Numbering E164
(1): BCD
Number of digits 11
+33609000123 /* GSM VMS number */
(122): Termination Triggers
(0): BUSY: Busy
(4): RF: Failed call
(8): NPR: No Page Response Call
(12): NR: Member not reachable

The VLR will then forward the voice call to +33609000123 as shown in Figure 3.

3.4 Deregistration

This occurs when a subscriber powers down the handset. A signaling message is sent from the VLR to the HLR to deregister the handset.

IS-41 Message Decoding © HALYS 2011, 2012

(22): MS INACTIVE (VLR->HLR MS Purge GSM)

Length = 16

(136): Mobile Identification Number MIN (as IMSI in GSM)

MIN = +4037990012

(137): Electronic Serial Number ESN (as IMEI in GSM)

Manufacturer code = B3

ESN = B309AFAF

3.5 Incoming SMS-MT to CDMA Subscriber

3.5.1 The Local or Foreign SMSC Asks the HLR for the Visited MSC and MIN

This is the case of a SMSC, not the “number continuity” case which is simpler and does not need to interrogate the HLR IS-41.

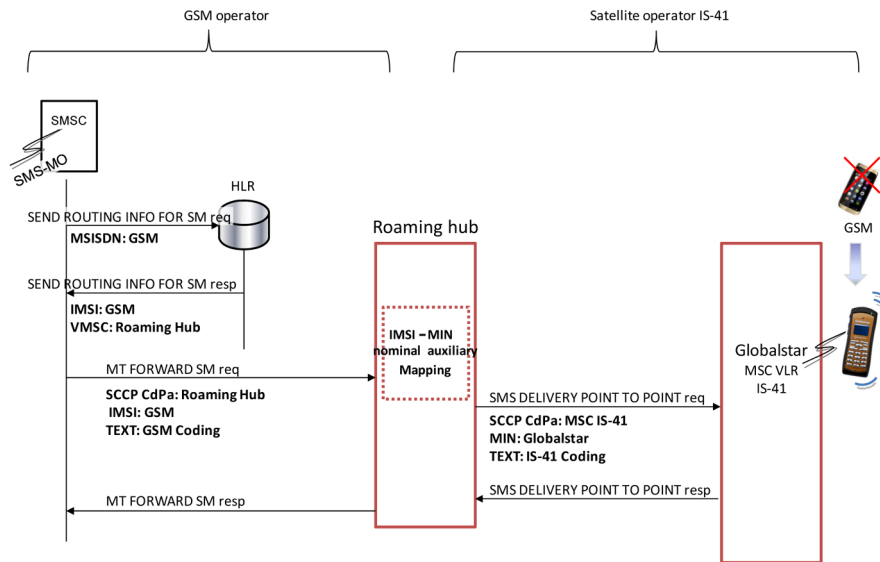


Figure 4 Incoming SMS-MT to CDMA subscriber.

The local or foreign SMSC uses the known public number MDN of the subscriber same as the MSIDN in a SRI_FOR_SM and gets the Visited MSC GT and the MIN (same as IMSI) which will be used in the SMS DELIVERY POINT TO POINT (same as FWD_SM_MT in GSM).

IS-41 Message Decoding © HALYS 2011, 2012

(55): SMS REQUEST (SMSC<->HLR Send Routing Information for SM in GSM)
Length = 24

(109): SMS Notification indicator (demand of a HLR alert by the SMSC)
(SMSNOTIND)

Notify when available (01)

(116): SMS Teleservice Identifier (IS-637) (SMSTID)

CDMA Number Messaging Teleservice (1002)

(93): Mobile Directory Number MDN (as MSISDN for the SRI_FOR_SM or in the INSERT SUBSCRIBER DATA GSM)

Type of digit 05

Nature of number 31

International

Presentation allowed

Number is not available

(2): Telephony Numbering E164

(1): BCD

Number of digits 10
MDN = +4037990012

This is the response of the HLR including the MIN. This is particular (Globalstar) and they use a MDN (the MSISDN in GSM) equal to the MIN (the IMSI in GSM).

IS-41 Message Decoding © HALYS 2011, 2012

(55): SMS REQUEST (SMSC<->HLR Send Routing Information for SM in GSM)

Length = 29

(137): Electronic Serial Number ESN (as IMEI in GSM)

Manufacturer code = B3

ESN = B309AF AF

(104): SMS Address (as Visited MSC GT in GSM)

Type of digit 05

Nature of number 31

International

Presentation allowed

Number is not available

(1): ISDN Numbering Plan

(2): IA5 International Alphabet 5

Number of digits 11

+16139889998

(136): Mobile Identification Number MIN (as IMSI in GSM)

MIN = +4037990012

3.6 The SMSC Sends the SMS to the Visited MSC

For number continuity the Roaming Hub does not need to interrogate the HLR IS-41 because it already knows the MIN and the visited VLR IS-41. It will send the SMS DELIVERY POINT TO POINT directly.

IS-41 Message Decoding © HALYS 2011, 2012

(53): SMS DELIVERY POINT TO POINT (SMSC->MSC SMS-MO or MSC->SMSC SMS-MT Forward Short Message GSM)

Length = 188

(136): Mobile Identification Number MIN (as IMSI in GSM)

MIN = +4037990012

(137): Electronic Serial Number ESN (as IMEI in GSM)

Manufacturer code = B3

ESN = B309AF AF

(105): SMS Bearer Data

MESSAGE_ID:

message type = 01 (Deliver (mobile terminated only))
message_ID: 0AD7
USER_DATA
Subparam length = 16
Msg_Encoding = 02 (7 bits ASCII)
Num 7b characters = 16
User_Data = Globalstar
NUMBER OF MSGs IN VMS: 12
LANGUAGE_INDICATOR: 02 (French)
MESSAGE CENTER TIMESTAMP: year = 2011 month = 12 day =
10 hour = 6 min = 45 sec = 32
VALIDITY PERIOD (absolute format): year = 2011 month = 12
day = 14 hour = 10 min = 0 sec = 0
VALIDITY PERIOD (relative format) = 85 (that is 25800 seconds)
ALERT ON MESSAGE DELIVERY: Use high priority alert
MESSAGE DISPLAY MODE (1): Mobile default setting: as
predefined in the MS
REPLY OPTION:
User Ack (if this is SMS-MT) = Positive (manual) User ACK
requested from the recipient user
Delivery Ack (if this is SMS-MO) = No Delivery ACK requested
from the recipient
PRIORITY INDICATOR (2): Urgent
PRIVACY INDICATOR (3): Secret
DEFERRED DELIVERY TIME (absolute format): year = 2012
month = 1 day = 6 hour = 23 min = 59 sec = 0
DEFERRED DELIVERY TIME (relative format) = 84 (that is
25500 seconds)
USER RESPONSE CODE (predefined by SMSC for the SMSack)
= 33
CALL BACK NUMBER
Digit Mode = 00 (DTMF (4 bits BCD))
Num_Fields = 13
Call Back Number = 1234567890ABC
CALL BACK NUMBER
Digit Mode = 01 (ASCII (8 bits))
Numbering type = 01
Numbering plan = 02
Num_Fields = 6
Call Back Number = 1234AB
(116): SMS Teleservice Identifier (IS-637) (SMSTID)
CDMA Voice mail notification (4099)

(109): SMS Notification indicator (demand of a HLR alert by the SMSC) (SMSNOTIND)
Notify when available (01)

3.6.1 The HLR Alerts the SMSC When Subscriber Becomes Reachable

This is like ALERT SERVICE CENTRE in GSM. The SMSC will retry.

IS-41 Message Decoding © HALYS 2011, 2012

(54): SMS NOTIFICATION (HLR->SMSC Alert SC GSM)

Length = 29

(137): Electronic Serial Number ESN (as IMEI in GSM)

Manufacturer code = B3

ESN = B309AF AF

(136): Mobile Identification Number MIN (as IMSI in GSM)

MIN = +4037990012

(104): SMS Address (as Visited MSC GT in GSM)

Type of digit 05

Nature of number 31

International

Presentation allowed

Number is not available

(1): ISDN Numbering Plan

(2): IA5 International Alphabet 5

Number of digits 11

+16139889998

3.7 Internet Data Services for CDMA->GSM Number Continuity

The likely usage is a GSM usage in a VPLMN. The Local Break-Out provides a simple solution so that the CDMA subscriber can have the internet access while using a GSM handset. But the GTP Protocol is common for GSM and CDMA2000, so that the PDP Context can also be established with the HPLMN CDMA GGSN [5].

4 CDMA<->GSM Number Continuity Service

This is a real case with major networks, such as SPRINT(CDMA) in the USA which provide the international roaming services to their subscribers with a dual standard handset CDMA plus a GSM SIM card from a “sponsor” and a Roaming Hub supplier providing the conversion. This is not a new idea

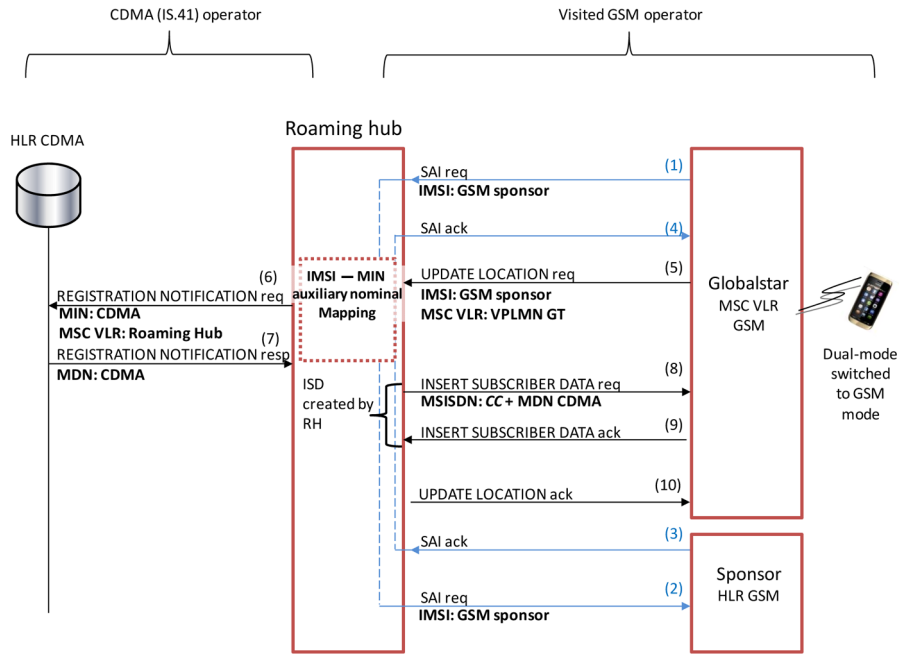


Figure 5 CDMA <-> GSM registration with a Roaming Hub.

and the service was offered since 2003 with a separate GSM handset provide by a sponsor. It is more practical with dual standard handsets including the latest Iphone. When he arrives in Europe for example, the user selects the GSM mode or a use a separate GSM handset, the number continuity service is provided with the IS-41 HLR thanks to the two-way conversion in the Roaming Hub as shown by Figure 5. Compare with figures 5 and 6 of Part I [6].

In IS-41 there is no equivalent of MAP GSM INSERT SUBSCRIBER DATA, the MDN of the user (equivalent of the MSISDN) is sent by the HLR CDMA in the REGISTRATION NOTIFICATION resp. (7). The Roaming Hub creates an INSERT SUBSCRIBER DATA req (8) which contains the MSISDN to be used in GSM roaming. Figure 5 shows that

$$\text{MSISDN} = \text{CC} + \text{MDNCDMA}$$

CC would be +1 in the case of a US roamer, which is added by the Roaming Hub because in many cases the MDN does not include the country code CC.

References

- [1] TIA/EIA-41-D. Number Radiotelecommunications Intersystem Operations, 1997. (Main description of the IS-41 protocol with the tables of operation and parameter codes.)
- [2] TIA/EIA-637-A. Short Message Service for Spread Spectrum Systems, 1999. (Complement to [10.1] for the SMS service. Gives all the details and tables to implement the SMS service.)
- [3] TIA/EIA-737. (Describes additional parameters to [1].)
- [4] TIA/EIA-707-D. Based Network Enhancements for CDMA Packet Data Service (C-PDS). 3GPP2 N.S0029 V1.0.0, June 2002.
- [5] IFAST#24/2004.10.04/07. CDMA Packet Data Roaming eXchange Guidelines.
- [6] A. Henry-Labordère. The number continuity service: Part I, GSM<->satellite phone. *Journal of Cyber Security and Mobility*, 1(4):349–376, 2013.

Biography

Arnaud Henry-Labordère is a graduate engineer from Ecole Centrale de Paris (1966), Ph.D. (Mathematics, USA, 1968). He was professor of Operations Research at Ecole Nationale des Ponts et Chaussées during 25 years, as well as at Ecole Nationale des Mines de Paris. He is currently Visiting Professor at Prism-CNRS. He started at IBM research (1967) and founded three companies: FERMA (voice mail systems in 1983), Nilcom (first SMS network in 1999) and currently Halys (telecom equipments). He is the author of eight books (six in maths, two in telecoms) and has been granted 85 patents.